

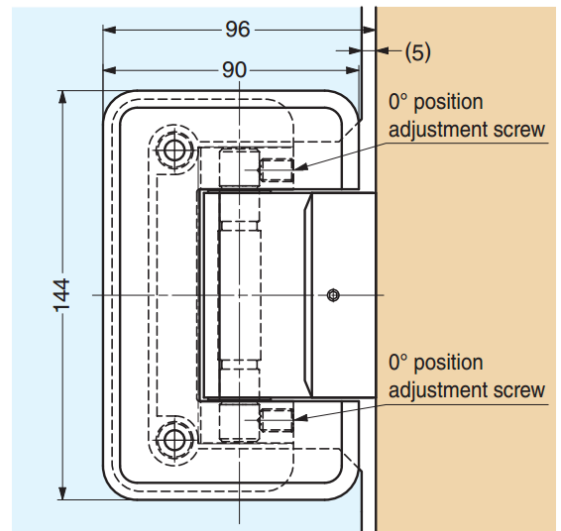
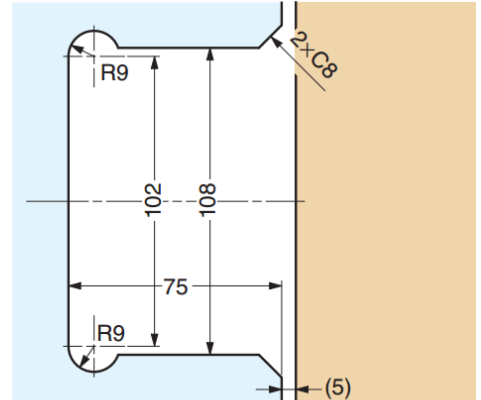
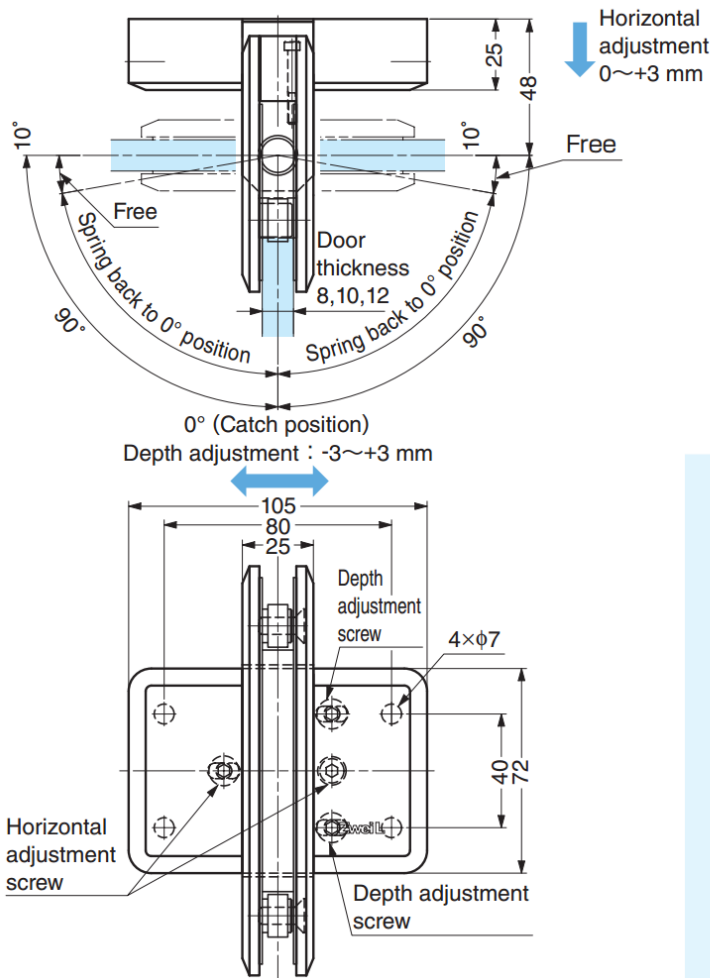
ZL-1703 *Zwei L* Glass Door Hinge

Features

- For glass doors that open either way
- Ideal for shower booth applications
- Use in pairs
- Superior "Zwei L Finish" - *Zwei L* represents the very pinnacle of ultra-premium Japanese hardware design. The contrasting bands of mirror finish and lustrous satin on a faceted profile give a jewel like finish that highlights and enhances any industrial design

Parts Included

- Spacer ×6 pcs (use 6 pcs for 8 mm, 4 pcs for 10 mm, 2 pcs for 12 mm)
- Round head wood screw 6.2×56 (SUS) (4 pcs)
- Plug MG-10×50P (4 pcs)
- Allen key 4 (1 pc)
- Allen key 2.5 (1 pc)



Part No.	Material	Finish	Door Width	Door Height	Glass Thickness	Door Weight
ZL-1703	Stainless Steel 316	Zwei L Finish	Max. 1000	Max. 2500	8, 10, 12	Max. 65 kg / 2 pcs